

MOBILE EQUIPMENT DRIVES
FOR BUILDING INDUSTRY MACHINES



Drives for building industry machines



BONFIGLIOLI

Bonfiglioli: Specific Solutions for Power Transmission and Motion Control


Product diversification, process automation, and quality have enabled Bonfiglioli to play a leading role in the industry. Bonfiglioli's policy focuses on integrated solutions, competence and innovative technology as key factors, indispensable to ensure customer satisfaction, while production is aimed at achieving the highest standards.

Bonfiglioli product portfolio meets the toughest and most sophisticated requirement for Industrial Process and Automation Solution and for Mobile Equipment Solutions.

Such market areas are covered through the following Product Lines:

 **BONFIGLIOLI
RIDUTTORI** representing Helical, Bevel
and Worm Gearmotors and Gear Units

 **BONFIGLIOLI
TRASMITAL** representing Planetary Gearmotors
and Gear Units

 **BONFIGLIOLI
VECTRON** representing AC drives



Drives for building industry machines

Bonfiglioli Trasmital, with its broad and diversified product range, can fully meet the specifications of building industry machinery, and namely:

- Tower cranes
- Concrete mixers
- Transit mixers and dumpers
- Concrete pumps



Each of these machines has its own special structural and duty characteristics, which Bonfiglioli Trasmital is well aware of, thanks to over 30 years of experience in the industry, working in close partnership with the leading manufacturers of BUILDING INDUSTRY MACHINERY.

Bonfiglioli Trasmital is thus able to offer a range of products perfectly tailored to meet a broad variety of drive specifications:

FROM SWING DRIVES FOR TOWER CRANES AND CONCRETE PUMPS, TO WINCH DRIVES FOR HOISTING DUTY AND TROLLEY DRIVES, TO STATIONARY CONCRETE MIXERS UP TO THE 500 SERIES: THE RENOWNED DRUM DRIVES FOR TRANSIT MIXER DUTY.

A vast range of customised solutions and extensive expertise in the industry, make BONFIGLIOLI TRASMITAL the ideal partner for all manufacturers of BUILDING INDUSTRY machinery.



Machine Data

mixer capacity
m³ x hours
from 1 to 2,2
from 2,2 to 3
from 3 to 4,5
from 4,5 to 6
from 6 to 9

Gearbox Data

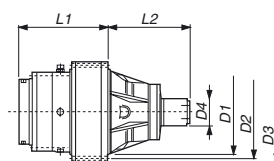
type	output torque Nm	ratios 1:	electric motor power kW
2 x 309 R	7500	27	30 x 2
2 x 310 R	12000	27	37 x 2
2 x 311 R	16000	27	55 x 2
2 x 313 R	21000	26	75 x 2
2 x 315 R	25000	63	110 x 2

Type

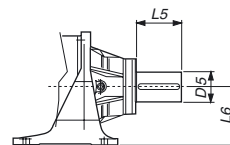
Dimensions

	D1	D2	D3	D4	D5	D6	L1 - 2 stages	L2	L3	L4	L5	L6
309	278	314	348	80x74 DIN 5482	100	120	215	231	82	245	165	225
310	340	370	400	100x94 DIN 5482	110	130	245	290	95	290	210	250
311	358	390	428	100x94 DIN 5482	120	135	250	320	88	190	210	280
313	385	415	445	120x3 DIN 5480	140	145	310	357	81	235	200	280
315	460	503	542	150x5 DIN 5480	160	180	390	429	98	260	240	315

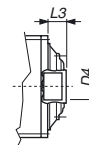
Output Versions Hz



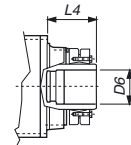
Output Versions Pc



Output Versions Fz



Output Versions Fp



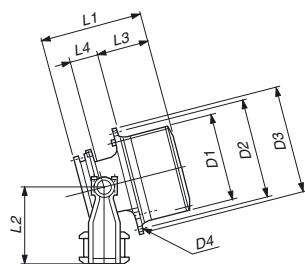
Drum drive for concrete mixers dumper from 0,5 to 5 m³

500 series 3



Machine Data		Gearbox Data		motor type
drum capacity m ³	type	output torque Nm	ratios 1:	
from 0,5 to 1	501	3000	from 17 to 29	orbital low speed motor
from 2 to 3	564	12000	from 78 to 161	piston high speed motor
from 2 to 3	565	12000	22	orbital low speed motor
from 4 to 5	567	20000	from 76 to 128	piston high speed motor
from 4 to 5	568	20000	from 18 to 27	orbital low speed motor

Type	Dimensions							L1	L2	L3	L4
501	D1	D2	D3	D4	D5	D6	D7	270	195	138	89
564	200	222	245	13 N°4				365	240	165	85
565	280	310	340	17 N°10				290	240	165	85
567	280	310	340	17 N°10				435	300	210	110
568	358	390	430	17 N°18				360	300	210	110





Machine Data

drum capacity
m³
from 6 to 8
from 8 to 10
from 10 to 12

Gearbox Data

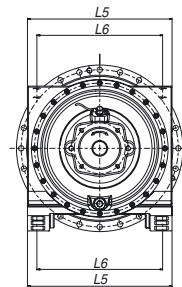
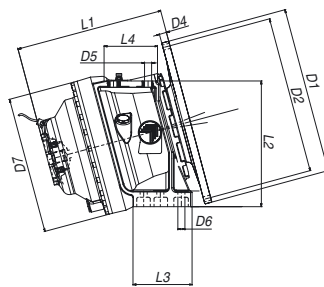
type	output torque Nm	ratios 1:	motor type
575	50000	99 - 102 - 141	high speed axial piston
577	60000	131	
580	75000	130 - 135	

New technical data and dimension.

Type

Dimensions

	D1	D2	D3	D4	D5	D6	D7	L1	L2	L3	L4	L5	L6
575	530	500		17 N°24	22 N°4	22 N°6	435	450	400	188	170	460	400
577	530	500		17 N°24	22 N°4	22 N°6	435	450	400	188	170	460	400
580	530	500		17 N°24	22 N°4	22 N°6	435	525	400	188	170	460	400



Slew drive for truck mounted concrete pumps

700T series 5



Machine Data		Gearbox Data		
max. vertical reach m	max. horizontal distance m	type	output torque Nm	ratios 1:
from 20 to 24	from 16 to 20	703 T2 F	3000	from 20 to 38
from 24 to 30	from 20 to 24	705 T2 F	5000	from 20 to 38
from 30 to 36	from 24 to 32	1x706 T2 N	10000	from 28 to 46
from 36 to 50	from 32 to 48	2x706 T2 N	10000	from 28 to 46
from 36 to 50	from 32 to 48	710 T3 N	18000	from 100 to 150
from 50 to 65	from 48 to 60	711 T3 C	30000	from 100 to 150

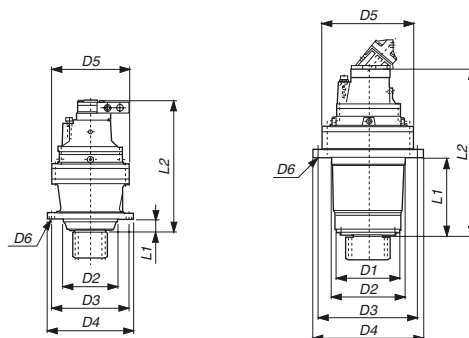
motor type

orbital low
speed motor

New technical data and dimension.

Type	Dimensions						L1	L2
	D1	D2	D3	D4	D5	D6		
703 T2 F		175	245	272	245	18	41	41
705 T2 F		175	245	272	245	18	41	41
706 T2 N	200	250	325	360	292	17	225	560
710 T3 N	300	425	460	500	400	22	360	730
711 T3 C	300	425	460	500	428	22	345	735

New technical data and dimension.





Machine Data

max. jib radius m	max. load tons
from 15 to 22	from 1,4 to 1,8
from 22 to 28	from 1,8 to 2,2
from 28 to 35	from 2,2 to 2,8
from 35 to 45	from 2,8 to 3,5
from 45 to 55	from 3,5 to 5,0
from 55 to 65	from 5,0 to 7,0
from 65 to 75	from 7,0 to 10

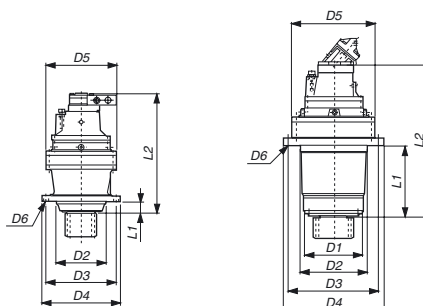
Gearbox Data

type	output torque Nm	ratios 1:	motor type
700 T3	1200	from 100 to 150	electric motor
701 T3	2400	from 100 to 150	
703 T3	3500	from 140 to 200	
705 T3	6500	from 140 to 200	
706 T3	10000	from 140 to 210	
707 T3	15000	from 140 to 210	
709 T3	20000	from 160 to 200	

Type

Dimensions

Type	D1	D2	D3	D4	D5	D6	L1	L2
700 T		150	195	220	186	12,5	31	300
701 T		150	195	220	186	12,5	31	325
703 T		175	245	272	245	18	41	410
705 T		175	245	272	245	18	41	440
705 T	180	195	245	290	245	13	171	470
706 T	200	250	325	360	292	17	225	560
707 T	230	280	314	348	345	17	295	670
709 T	250	280	380	420	345	17	295	720



Winch drive for building crane

700 C series
800 series



Winch Data		Gearbox Data	
max. rope pull tons	type	output torque Nm	ratios 1:
from 1,4 to 2,0	703 C	2500	from 19 to 40
from 2,0 to 4,0	805	5000	from 22 to 53
from 4,0 to 5,5	806	10000	from 30 to 44
from 6,0 to 8,0	810	18000	from 21 to 46
from 8,0 to 10	709 C	22000	from 33 to 53

Note: according FEM classification: T4-L2-M4; output speed: 25 rpm

Type	Dimensions							
	D1	D2	D3	D4	D5	D6	D7	D8
703 C2	270	230	190	200	240	280	M16x2 n°8	M20x1,5 n°8
709 C3 B	375	340	300	330	370	400	M20x2,5 n°16	M16x2 n°30

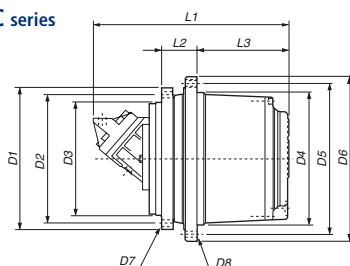
	L1	L2	L3
Depend on motor type	72	128	128
	91	235	235

New technical data and dimension.

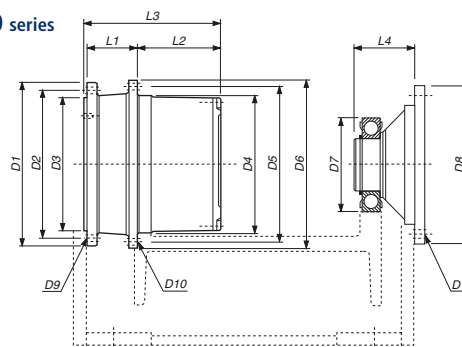
Type	Dimensions										
	D1	D2	D3	D4	D5	D6	D7	D8	D9	D10	D11
805 W2	265	240	215	225	250	270	140	210	M12x1,75 n°16	ø13 n°16	ø13 n°8
806 W2	330	300	270	280	315	340	140	210	M16x2 n°12	ø17 n°12	ø13 n°8
810 F2	270	240	215	350	375	410	190	320	M16x2 n°18	ø13 n°24	ø19 n°12

	L1	L1	L2	L3
	75	158	250	95
	100	165	280	95
	25	310	360	110

700 C series



800 series



Quality has Always Been the Distinctive Trait of Bonfiglioli

Total quality for customer satisfaction: this is the underlying concept of the Bonfiglioli philosophy. The Bonfiglioli Quality System applies to all the activities conducted in all production sites. This synergical approach translates into a common Quality Management throughout the Company, which ensures that every process is carried out according to the ISO 9001 : 2000 standards.



For Bonfiglioli, this involved significant changes in all areas of the company, as well as substantial investments. By achieving the ISO 9001: 2000 certification, the Bonfiglioli facilities proved their ability to design, produce and guarantee a quality product.

The Bonfiglioli Group can flaunt the European record scored by its division, who were the first to obtain a quality system certification from two different internationally acknowledged authorities, members of Sincert: Det Norske Veritas and TÜV.

Bonfiglioli Worldwide & BEST Partners

AUSTRALIA

BONFIGLIOLI TRANSMISSION (Aust) Pty Ltd.
101, Plumpton Road, Glendenning NSW 2761, Australia
Locked Bag 1000 Plumpton NSW 2761
Tel. (+61) 2 8811 8000 - Fax (+61) 2 9675 6605
www.bonfiglioli.com.au - sales@bonfiglioli.com.au

AUSTRIA BEST

MOLL MOTOR GmbH
Industriestrasse 8 - 2000 Stockerau
Tel. (+43) 2266 63421+DW - Fax (+43) 6342 180
www.mollmotor.at - office@mollmotor.at

BELGIUM BEST

ESCO TRANSMISSION N.V./S.A.
Culliganlaan 3 - 1831 Machelem Diegem
Tel. 0032 2 7176460 - Fax 0032 2 7176461
www.esco-transmissions.be - info@esco-transmissions.be

BRASIL BEST

ATI BRASIL
Rua Omlio Monteiro Soares, 260 - Vila Fanny - 81030-000
Tel. (+41) 334 2091 - Fax (+41) 332 8669
www.atibrasil.com.br - vendas@atibrasil.com.br

CANADA

BONFIGLIOLI CANADA INC.
2-7941 Jane Street - Concord, Ontario L4K 4L6
Tel. (+1) 905 7384466 - Fax (+1) 905 7389833
www.bonfigliolicanada.com - sales@bonfigliolicanada.com

CHINA

BONFIGLIOLI DRIVES (SHANGHAI) CO. LTD.
No. 8 Building, 98 Tian Ying Road
Qingpu District, Shanghai, PRC 201712
Tel. +86 21 69225500 - Fax +86 21 69225511
www.bonfiglioli.cn - bds@bonfiglioli.com.cn

FRANCE

BONFIGLIOLI TRANSMISSIONS S.A.
14 Rue Eugène Pottier BP 19
Zone Industrielle de Moimont II - 95670 Marly la Ville
Tel. (+33) 1 34474510 - Fax (+33) 1 34688800
www.bonfiglioli.fr - btf@bonfiglioli.fr

GERMANY

BONFIGLIOLI DEUTSCHLAND GmbH
Hamburger Straße 18 - 41540 Dormagen
Tel. (+49) 2133 50260 - Fax (+49) 2133 502610
www.bonfiglioli.de - info@bonfiglioli.de

GREAT BRITAIN

BONFIGLIOLI UK Ltd
Industrial Equipment - Unit 3 Colemeadow Road
North Moons Moat - Redditch, Worcestershire B98 9PB
Tel. (+44) 1527 65022 - Fax (+44) 1527 61995
www.bonfiglioli-uk.com - salesindustrial@bonfiglioli-uk.com

Mobile Equipment
5 Grosvenor Grange, Woolston, Warrington
Cheshire WA1 4SF
Tel. (+44) 1925 852667 - Fax (+44) 1925 852668
www.bonfiglioli-uk.com - salesmobile@bonfiglioli-uk.com

GREECE

BONFIGLIOLI HELLAS S.A.
O.T. 48A T.O. 230
C.P. 570 22 Industrial Area - Thessaloniki
Tel. (+30) 2310 796456 - Fax (+30) 2310 795903
www.bonfiglioli.gr - info@bonfiglioli.gr

HOLLAND BEST

ELSTO AANDRIJFTECHNIEK
Loosterweg, 7 - 2215 TL Voorhout
Tel. (+31) 252 219 123 - Fax (+31) 252 231 660
www.elsto.nl - info@elsto.nl

HUNGARY BEST

AGISYS AGITATORS & TRANSMISSIONS Ltd
2045 Törökbálint, Tö u.2. Hungary
Tel. +36 23 50 11 50 - Fax +36 23 50 11 59
www.agisys.hu - info@agisys.hu

INDIA

BONFIGLIOLI TRANSMISSIONS PVT Ltd.
PLOT AC7-AC11 Sidco Industrial Estate
Thirumudivakkam - Chennai 600 044
Tel. +91(0) 44 24781035 / 24781036 / 24781037
Fax +91(0) 44 24780091 / 24781904
www.bonfiglioli.co.in - bonfig@vsnl.com

ITALY

BONFIGLIOLI ITALIA srl
Via Sandro Pertini lotto 7b - 20080 Carpiano (Milano)
Tel. (+39) 02 985081 - Fax (+39) 02 985085817
customerservice.italia@bonfiglioli.it - www.bonfiglioli.it

NEW ZEALAND BEST

SAECO BEARINGS TRANSMISSION
36 Hastie Avenue, Mangere Po Box 22256, Otahuhu - Auckland
Tel. +64 9 634 7540 - Fax +64 9 634 7552
mark@saeco.co.nz

POLAND BEST

POLPACK Sp. z o.o. - Ul. Chrobrego 135/137 - 87100 Torun
Tel. 0048.56.6559235 - 6559236 - Fax 0048.56.6559238
www.polpack.com.pl - polpack@polpack.com.pl

PORTUGAL BEST

BT BONFITEC Equipamentos Industriais, Lda.
Largo do Colegio de Ermesinde, 70 - Formiga 4445-382 Ermesinde
Tel. 00351 229759634/5/6 - Fax 00351 229752211
bonfitec@bonfitec.pt - www.bonfitec.pt

RUSSIA BEST

FAM
57, Maly prospekt, V.O. - 199048, St. Petersburg
Tel. +7 812 3319333 - Fax +7 812 3271454
www.fam-drive.ru - info@fam-drive.ru

SPAIN

TECNOTRANS BONFIGLIOLI S.A.
Pol. Ind. Zona Franca sector C, calle F, n°6 08040 Barcelona
Tel. (+34) 93 4478400 - Fax (+34) 93 3360402
www.tecnotrans.com - tecnotrans@tecnotrans.com

SOUTH AFRICA

BONFIGLIOLI POWER TRANSMISSION Pty Ltd.
55 Galaxy Avenue, Linbro Business Park - Sandton
Tel. (+27) 11 608 2030 OR - Fax (+27) 11 608 2631
www.bonfiglioli.co.za - bonfigsales@bonfiglioli.co.za

SWEDEN

BONFIGLIOLI SKANDINAVIEN AB
Koppargatan 8 - 234 35 Lomma, Sweden
Tel. +46 40418230 - Fax +46 40414508
www.bonfiglioli.se - info@bonfiglioli.se

THAILAND BEST

K.P.T MACHINERY (1993) CO.LTD.
259/83 Soi Phibooves, Sukhumvit 71 Rd. Phrakhanong-nur,
Wattana, Bangkok 10110
Tel. 0066.2.3913030/7119998 - Fax 0066.2.7112852/3811308/3814905
www.kpt-group.com - sales@kpt-group.com

TURKEY

BONFIGLIOLI TURKIYE
Atatürk Organize Sanayi Bölgesi, 10015 Sk. No: 17, Çiğli - Izmir
Tel. +90 (0) 232 328 22 77 (pbx) - Fax +90 (0) 232 328 04 14
www.bonfiglioli.com.tr - info@bonfiglioli.com.tr

USA

BONFIGLIOLI USA, INC.
3541 Hargrave Drive Hebron, Kentucky 41048
Tel. (+1) 859 334 3333 - Fax (+1) 859 334 8888
www.bonfiglioliusa.com
industrialsales@bonfiglioliusa.com - mobilesales@bonfiglioliusa.com

VENEZUELA BEST

MAICA SOLUCIONES TECNICAS C.A.
Calle 3B - Edif. Comindu - Planta Baja - Local B
La Urbina - Caracas 1070
Tel. 0058.212.2413570 / 2425268 / 2418263
Fax 0058.212.2424552 - Tlx 24780 Maica V
maica1@cantv.net

HEADQUARTERS

BONFIGLIOLI RIDUTTORI S.p.A.
Via Giovanni XXIII, 7/A
40012 Lippo di Calderara di Reno
Bologna (ITALY)
Tel. (+39) 051 6473111
Fax (+39) 051 6473126
www.bonfiglioli.com
bonfiglioli@bonfiglioli.com

SPARE PARTS BONFIGLIOLI

B.R.T.
Via Castagnini, 2-4
Z.I. Bargellino - 40012
Calderara di Reno - Bologna (ITALY)
Tel. (+39) 051 727844
Fax (+39) 051 727066
www.brbonfiglioliricambi.it
brt@bonfiglioli.com

MOBILE EQUIPMENT DRIVES
FOR BUILDING INDUSTRY MACHINES



www.bonfiglioli.com

 **BONFIGLIOLI**