

BC140

**MOTORE CORRENTE CONTINUA SENZA VENTILAZIONE
DC MOTOR WITHOUT FAN**
**GRANDEZZA
SIZE**

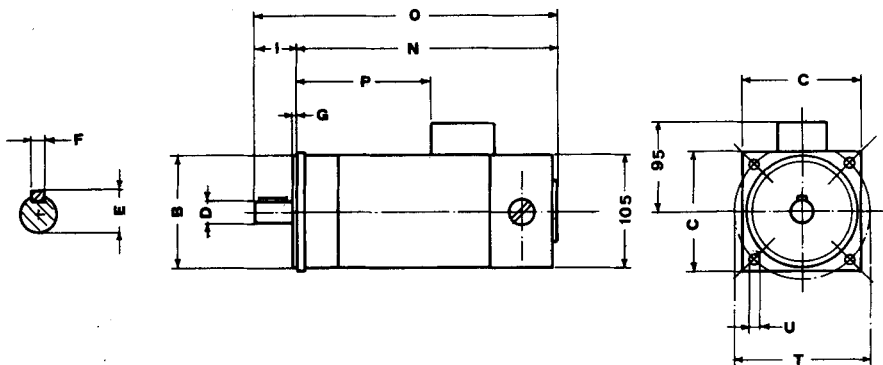
71-B5/B14

TIPO TYPE	V	RPM	W	Nm	A	Ω ohm	L mH	J Kgm ² 10 ⁻³	Peso Weight Kg.	Dimensioni Dimensions
BC140-24-1500-220	24	1500	220	1.4	13	0.32	1.6	1.2	7.8	a
BC140-36-1500-220	36				8.7	0.54	3.2			
BC140-48-1500-220	48				6.5	0.95	5.2			
BC140-65-1500-220	65				4.5	1.5	9			
BC140-110-1500-220	110				2.9	3.4	24			
BC140-180-1500-220	180				1.8	7.4	56			
BC140-24-2000-300	24	2000	300	1.4	16.4	0.22	0.5	1.2	7.8	a
BC140-36-2000-300	36				11	0.4	1.1			
BC140-48-2000-300	48				8.2	0.5	1.9			
BC140-65-2000-300	65				6.1	0.8	3.4			
BC140-110-2000-300	110				3.6	1.8	9.4			
BC140-180-2000-300	180				2.2	4.5	24			
BC140-24-3000-450	24	3000	450	1.4	24.6	0.1	0.4	1.2	7.8	a
BC140-36-3000-450	36				16.5	0.18	0.86			
BC140-48-3000-450	48				12.3	0.25	1.4			
BC140-65-3000-450	65				9.1	0.35	2.6			
BC140-110-3000-450	110				5.4	0.9	7			
BC140-180-3000-450	180				3.3	2	18			

71/B5

**Forma costruttiva e grandezza
Version and size**

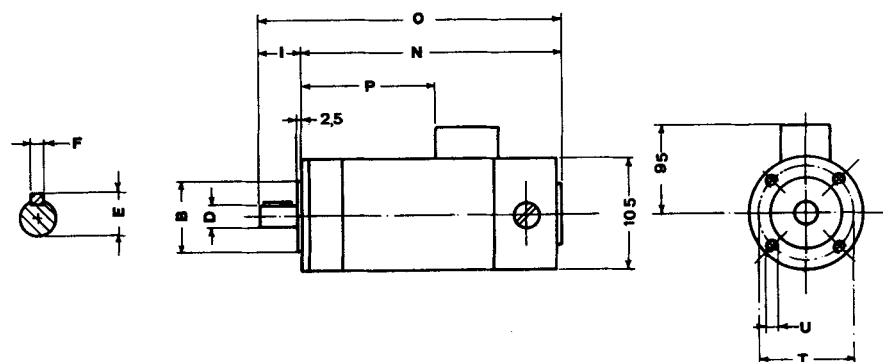
Dimensioni Dimensions mm	D	B	P	I	E	F	G	N	O	T	U	C
a	14	110	150	30	16	5	3.5	268	298	130	9.5	115

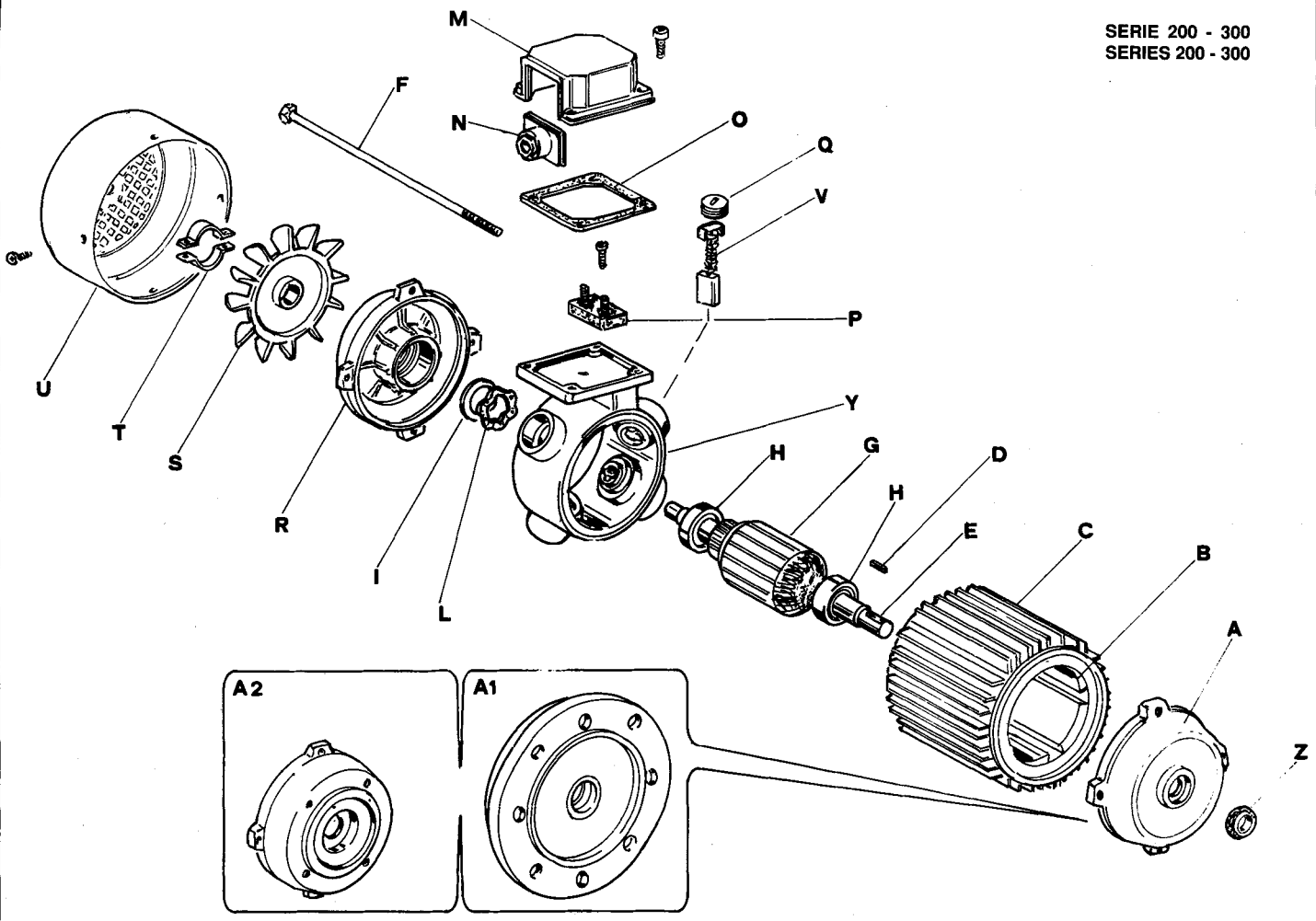


71/B14

**Forma costruttiva e grandezza
Version and size**

Dimensioni Dimensions mm	D	B	P	I	E	F	N	O	T	U
a	14	70	150	30	16	5	268	298	85	M6





- | | | | |
|-------------------------------------|------------------------------------|---|---|
| A Scudo anteriore | M Coprimorsettiera | A Shield | M Terminal Board Box |
| A1 Flangia B5 | N Pressacavo | A1 Flange B5 | N Cable Gland |
| A2 Flangia B14 | O Guarnizione | A2 Flange B14 | O Seal |
| B Statore magneti permanenti | P Morsettiera e Componenti | B Winded Stator Permanent Magnet | P Terminal Board with Metallic Parts |
| C Carcassa Motore | Q Tappo | C Motor Frame | Q Brush-Cover |
| D Linguetta | R Scudo Posteriore | D Tang | R Back Side Shield |
| E Albero Motore | S Ventola di Raffreddamento | E Motor Shaft | S Cooling Fan |
| F Tirante | T Fascetta Stringiventola | F Tie-rod | T Fan-clamp |
| G Rotore | U Copriventola | G Cage Rotor | U Fan Cover |
| H Cuscinetto | V Spazzola | H Bearing | V Brush |
| I Anello di rasamento | Y Anello porta spazzole | I Spacer ring | Y Brush-Holder ring |
| L Anella di Compensazione | Z Anello di tenuta | L Shackle | Z Grommet |

MOTORI A CORRENTE CONTINUA
CON VENTILAZIONE

SERIE **200-300**

DC MOTOR WITH FANS

SERIES **200-300**

PAG.
PAGE

18

BC220

MOTORI CORRENTE CONTINUA CON VENTILAZIONE DC MOTORS WITH FAN

GRANDEZZA
SIZE

63-B3/B5/B14

TIPO TYPE	V	RPM	W	Nm	A	Ω ohm	L mH	J Kg ^m ² 10 ⁻³	Peso Weight Kg	Dimensioni Dimensions
BC220-12-1500-45	12	1500	45*	0.29	5.5	1	3	0.33	2.6	a
BC220-24-1500-45	24				2.7	2.3	12			
BC220-36-1500-45	36				1.8	3.2	27			
BC220-48-1500-45	48				1.3	6	48			
BC220-65-1500-45	65				1	11	88			
BC220-110-1500-45	110				0.6	18.8	252			
BC220-180-1500-45	180		0.3	31	640					
BC220-12-1500-95	12		95	0.60	11	0.3	0.65	0.45	3.9	b
BC220-24-1500-95	24				5.5	0.75	2.6			
BC220-36-1500-95	36				3.7	1.25	6			
BC220-48-1500-95	48				2.8	1.74	10.6			
BC220-65-1500-95	65				2	2.6	19.4			
BC220-110-1500-95	110				1.2	4.7	55			
BC220-180-1500-95	180		0.7	7.8	145					
BC220-12-1500-140	12		140	0.90	16	0.25	0.25	0.68	4.7	c
BC220-24-1500-140	24				8	0.55	1			
BC220-36-1500-140	36				5.5	0.85	2.25			
BC220-48-1500-140	48				4	1.15	4			
BC220-65-1500-140	65	3			1.6	7.4				
BC220-110-1500-140	110	1.7			2.7	21				
BC220-180-1500-140	180	1	4.3	57						
BC220-12-2000-60	12	2000	60*	0.29	7	0.6	1.7	0.33	2.6	a
BC220-24-2000-60	24				3.5	1.3	6.8			
BC220-36-2000-60	36				2.3	2.3	12			
BC220-48-2000-60	48				1.7	3.2	22			
BC220-65-2000-60	65				1.3	5.8	62			
BC220-110-2000-60	110				0.7	10	170			
BC220-180-2000-60	180		0.4	17	450					
BC220-12-2000-125	12		125	0.60	14	0.16	0.24	0.45	3.9	b
BC220-24-2000-125	24				7	0.4	1			
BC220-36-2000-125	36				4.7	0.68	2.2			
BC220-48-2000-125	48				3.5	0.94	3.9			
BC220-65-2000-125	65				2.6	1.34	7			
BC220-110-2000-125	110				1.5	2.42	20			
BC220-180-2000-125	180		0.9	4.1	54					
BC220-12-2000-190	12		190	0.90	21	0.13	0.15	0.68	4.7	c
BC220-24-2000-190	24				11	0.33	0.6			
BC220-36-2000-190	36				7	0.53	1.3			
BC220-48-2000-190	48				5.5	0.7	2.2			
BC220-65-2000-190	65	4			0.93	3.9				
BC220-110-2000-190	110	2.3			1.65	11.2				
BC220-180-2000-190	180	1.4	2.6	30						
BC220-12-3000-90	12	3000	90*	0.29	10	0.3	0.75	0.33	2.6	a
BC220-24-3000-90	24				5	0.66	3			
BC220-36-3000-90	36				3.3	1.3	6.8			
BC220-48-3000-90	48				2.5	2.3	12			
BC220-65-3000-90	65				1.8	3.2	22			
BC220-110-3000-90	110				1.1	5.7	60			
BC220-180-3000-90	180		0.6	10	170					
BC220-12-3000-190	12		190	0.60	21	0.11	0.10	0.45	3.9	b
BC220-24-3000-190	24				10	0.23	0.44			
BC220-36-3000-190	36				7	0.4	0.95			
BC220-48-3000-190	48				5	0.7	1.6			
BC220-65-3000-190	65				3.8		2.9			
BC220-110-3000-190	110				2.2	1.8	8			
BC220-180-3000-190	180		1.4	3.1	21					
BC220-12-3000-280	12		280	0.90	29	0.06	0.06	0.68	4.7	c
BC220-24-3000-280	24				15	0.16	0.24			
BC220-36-3000-280	36				10	0.28	0.56			
BC220-48-3000-280	48				7	0.42	1			
BC220-65-3000-280	65	5.5			0.64	1.9				
BC220-110-3000-280	110	3.2			1.18	5.5				
BC220-180-3000-280	180	1.9	2.1	14.8						

* Questi motori possono venire forniti con albero cavo $\varnothing 7$ e flangia speciale per attacco al riduttore MVF 27.

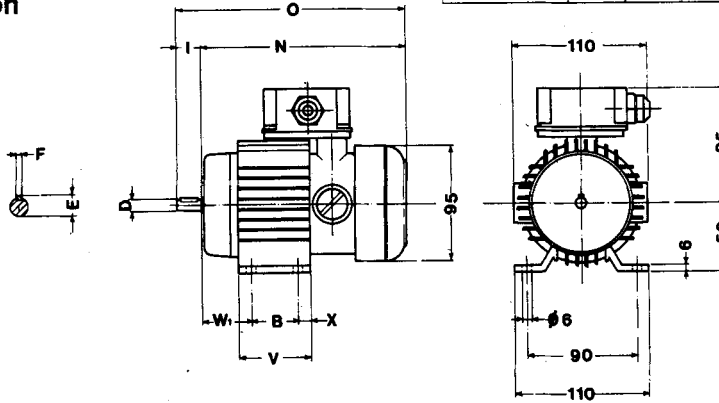
* These motors are available with hollow shaft dia. 7 mm and special flange for gearbox type MVF 27.

63/B3 Forma costruttiva e grandezza Version and size

63 con altezza asse 56 mm
63 with axis height 56 mm

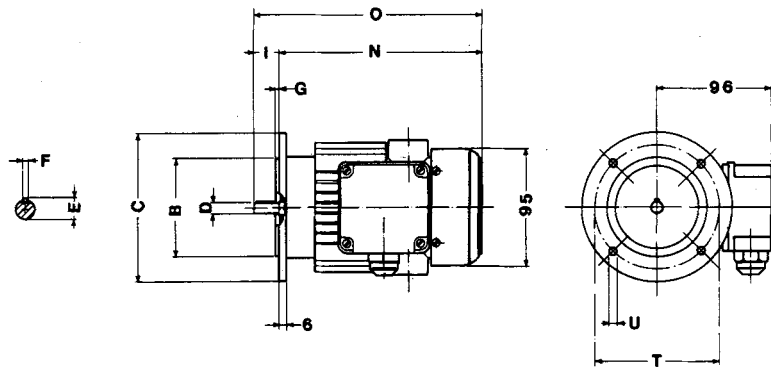
versione con piedi
foot mounted version

Dimensioni Dimensions mm	D	B	I	E	F	N	O	V	X	W ₁
a	11	45	23	12.5	4	164	187	57	6	36
b		71				203	226	96	19	36
c						236	259	129	52	36



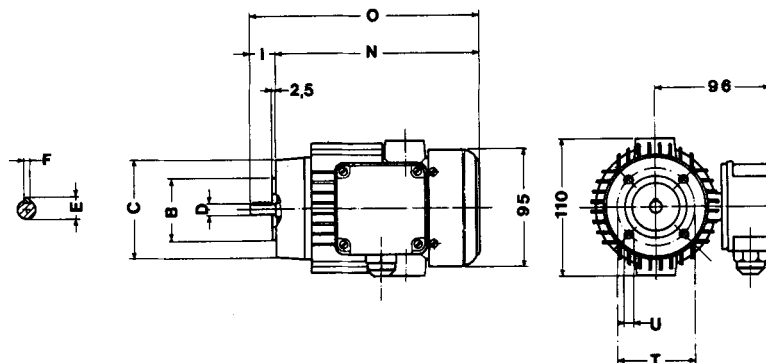
63/B5 Forma costruttiva e grandezza Version and size

Dimensioni Dimensions mm	D	B	C	I	E	F	G	N	O	T	U
a	11	95	140	23	12.5	4	3	164	187	115	9.5
b								203	226		
c								236	259		



63/B14 Forma costruttiva e grandezza Version and size

Dimensioni Dimensions mm	D	B	C	I	E	F	N	O	T	U
a	11	60	90	23	12.5	4	164	187	75	M5
b							203	226		
c							236	259		



Esecuzione con piedi (B3) è possibile anche in associazione con B5 e B14.

Foot mounted version (B3) also available in combination with flange version B5 or B14.

BC240

**MOTORI CORRENTE CONTINUA CON VENTILAZIONE
DC MOTORS WITH FAN**

 GRANDEZZA
SIZE

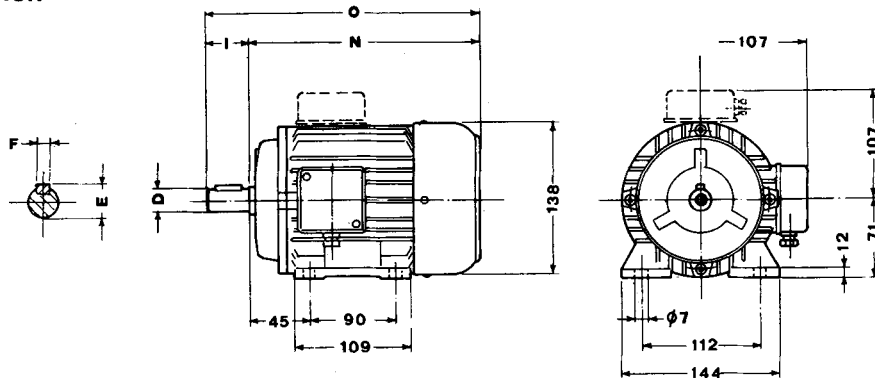
63-B3/B5/B14

TIPO TYPE	V	RPM	W	Nm	A	Ω ohm	L mH	J Kgm ² 10 ⁻³	Peso Weight Kg.	Dimensioni Dimensions
BC240-12-1500-180	12	1500	180	1	22	0.25	0.9	0.8	6.7	a
BC240-24-1500-200	24		200	1.2	12	0.7	3.3			
BC240-36-1500-200	36				8	1.5	7.4			
BC240-48-1500-200	48				6	2.2	13			
BC240-65-1500-200	65				4.4	3.5	24			
BC240-110-1500-200	110				2.6	9.5	68			
BC240-180-1500-200	180				1.6	21	140			
BC240-12-2000-230	12	2000	230	1	27	0.04	0.5	0.8	6.7	a
BC240-24-2000-260	24		260	1.2	16	0.1	1.7			
BC240-36-2000-260	36				10	0.2	3.8			
BC240-48-2000-260	48				7.7	0.32	6.6			
BC240-65-2000-260	65				5.6	0.5	12			
BC240-110-2000-260	110				3.3	5	29			
BC240-180-2000-260	180				2	13	76			
BC240-12-3000-320	12	3000	320	1	37	0.02	0.06	0.8	6.7	a
BC240-24-3000-400	24		400	1.2	23	0.06	0.8			
BC240-36-3000-400	36				16	0.1	1.6			
BC240-48-3000-400	48				12	0.15	2.7			
BC240-65-3000-400	65				8.5	0.22	4.7			
BC240-110-3000-400	110				5	0.45	13			
BC240-180-3000-400	180				3.1	5.5	32			

63/B3 Forma costruttiva e grandezza
Version and size

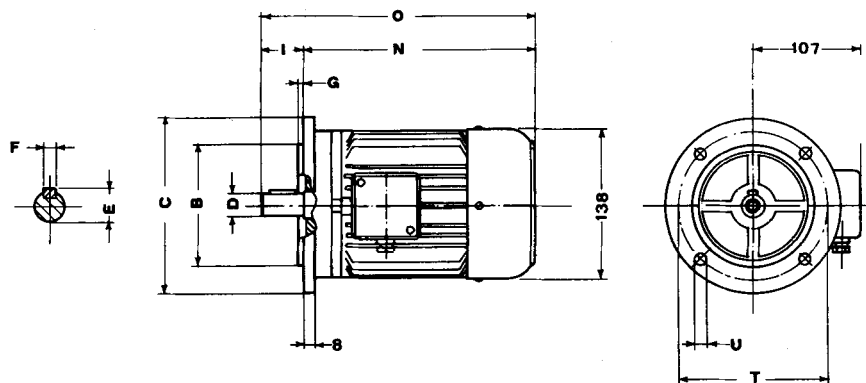
63 con altezza asse 71 mm
63 with axis height 71 mm
versione con piedi
foot mounted version

Dimensioni Dimensions mm	D	I	E	F	N	O
a	11	23	12.5	4	220	243



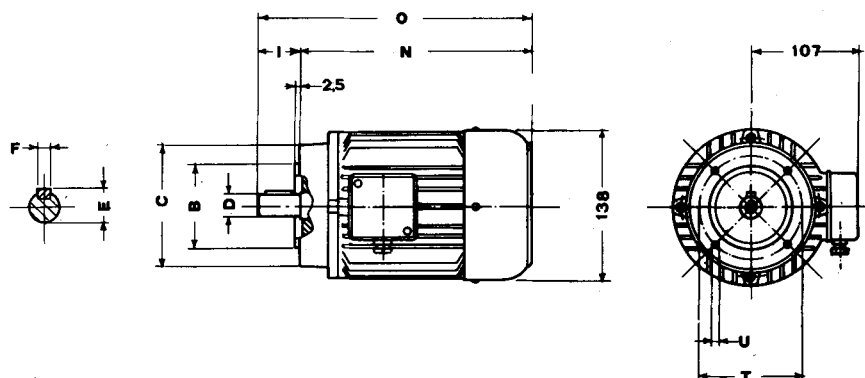
63/B5 Forma costruttiva e grandezza
Version and size

Dimensioni Dimensions mm	D	B	C	I	E	F	G	N	O	T	U
a	11	95	140	23	12.5	4	3	227	250	115	9.5



63/B14 Forma costruttiva e grandezza
Version and size

Dimensioni Dimensions mm	D	B	C	I	E	F	N	O	T	U
a	11	60	90	23	12.5	4	220	243	75	M5



Esecuzione con piedi (B3) è possibile anche in associazione con B5 e B14.

Foot mounted version (B3) also available in combination with flange version B5 or B14.

BC270

MOTORI CORRENTE CONTINUA CON VENTILAZIONE DC MOTORS WITH FAN

 GRANDEZZA
SIZE

71-B3/B5/B14

TIPO TYPE	V	RPM	W	Nm	A	Ω ohm	L mH	J Kgm ² 10 ⁻³	Peso Weight Kg.	Dimensioni Dimensions
BC270- 12-1200-150	12	1200	150	1.3	22	0.16	0.93	0.5	5.6	a
BC270- 24-1400-150	24	1400	150		11					
BC270- 48-1500-200	48	1500	200		5					
BC270- 90-1200-170	90	1200	170		2.6	9.57	64.37			
BC270- 24-2900-370	24	2900	370		22	0.16	0.93			
BC270- 48-3000-370	48	3000	370		11					
BC270- 90-3000-370	90	3000	370		5					
BC270-180-2700-370	180	2700	370		2.6	9.57	64.37			
BC270- 12-1400-310	12	1400	310	2.2	40	0.056	0.31	0.95	9	b
BC270- 24-1400-370	24	1400	370		20					
BC270- 48-1500-370	48	1500	370		9					
BC270- 90-1400-370	90	1400	370		5.5	2.81	19.76			
BC270- 24-3100-750	24	3100	750		40	0.063	0.31			
BC270- 48-3000-750	48	3000	750		20					
BC270- 90-3000-750	90	3000	750		9					
BC270-180-3000-750	180	3000	750		4.9	2.81	19.76			

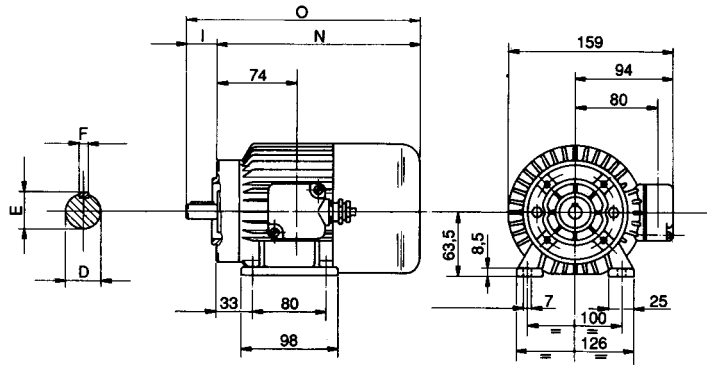
71/B3 Forma costruttiva e grandezza

Version and size

71 con altezza asse 63 mm
71 with axis height 63 mm

versione con piedi
foot mounted version

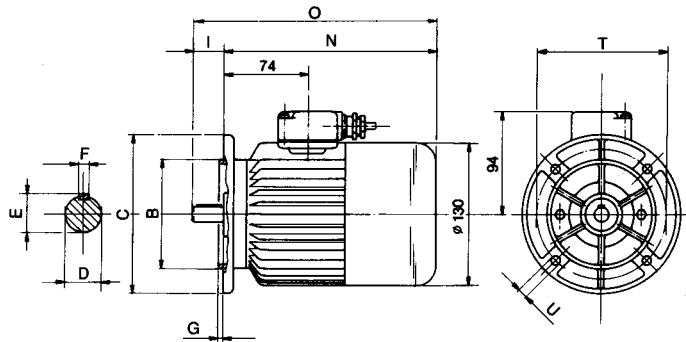
Dimensioni Dimensions mm	D	I	E	F	N	O
a	14	30	16	5	203	233
b					269	299



71/B5 Forma costruttiva e grandezza

Version and size

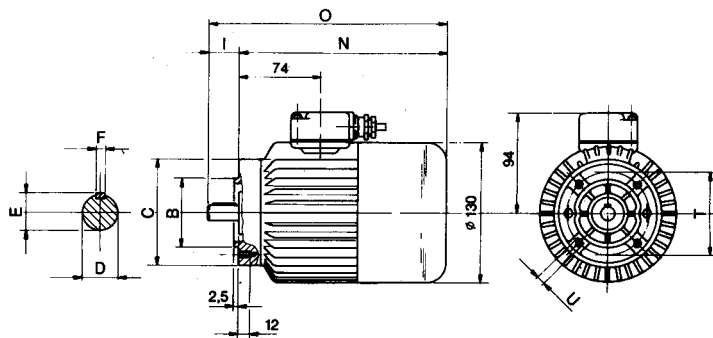
Dimensioni Dimensions mm	D	B	C	I	E	F	G	N	O	T	U
a	14	110	160	30	16	5	3.5	203	233	130	9.5
b								269	299		



71/B14 Forma costruttiva e grandezza

Version and size

Dimensioni Dimensions mm	D	B	C	I	E	F	N	O	T	U
a	14	70	110	30	16	5	203	233	85	M6
b							269	299		



Esecuzione con piedi (B3) è possibile anche in associazione con B5 e B14.

Foot mounted version (B3) also available in combination with flange version B5 or B14.

BC310

MOTORI CORRENTE CONTINUA CON VENTILAZIONE DC MOTORS WITH FAN

GRANDEZZA
SIZE

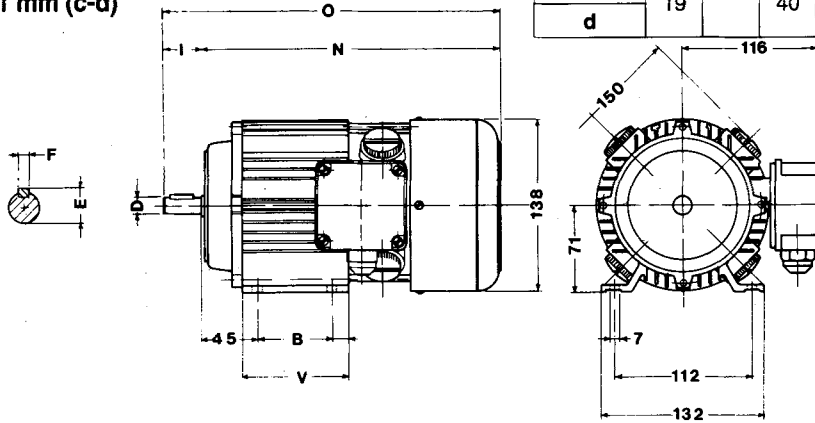
71 - B3/B5/B14
80 - B5/B14

TIPO TYPE	V	TPM UPM	W	Nm	A	Ω ohm	L mH	J Kgm ² 10 ⁻³	Peso Weight Kg.	Dimensioni Dimensions
BC310-12-1500-300	12	1500	300	1.9	33.2			1.5	7.2	a
BC310-24-1500-300	24				16.6					
BC310-36-1500-300	36				11					
BC310-48-1500-300	48				8.3					
BC310-12-1500-400	12		400	2.6	44			2.2	9.4	b
BC310-24-1500-400	24				22					
BC310-36-1500-400	36				14.6					
BC310-48-1500-400	48				11					
BC310-12-1500-600	12		600	3.8	67			2.9	11	c
BC310-24-1500-600	24				33.4					
BC310-36-1500-600	36				22					
BC310-48-1500-600	48				16.7					
BC310-12-1500-700	12		700	4.5	76			5	16	d
BC310-24-1500-700	24				38					
BC310-36-1500-700	36				25					
BC310-48-1500-700	48				19					
BC310-12-2000-400	12	2000	400	1.9	43			1.5	7.2	a
BC310-24-2000-400	24				21.5					
BC310-36-2000-400	36				14.3					
BC310-48-2000-400	48				10.3					
BC310-12-2000-550	12		550	2.6	59			2.2	9.4	b
BC310-24-2000-550	24				29.4					
BC310-36-2000-550	36				19.6					
BC310-48-2000-550	48				15					
BC310-12-2000-800	12		800	3.8	84			2.9	11	c
BC310-24-2000-800	24				42					
BC310-36-2000-800	36				28					
BC310-48-2000-800	48				21					
BC310-24-2000-950	24		950	4.5	52			5	16	d
BC310-36-2000-950	36				34					
BC310-48-2000-950	48				26					
BC310-12-3000-600	12	3000	600	1.9	64			1.5	7.2	a
BC310-24-3000-600	24				32					
BC310-36-3000-600	36				21					
BC310-48-3000-600	48				16					
BC310-12-3000-800	12		800	2.6	84			2.2	9.4	b
BC310-24-3000-800	24				42					
BC310-36-3000-800	36				22					
BC310-48-3000-800	48				20					
			1200	3.8	41			2.9	11	c
BC310-36-3000-1200	36				31					
			1400	4.5	48			5	16	d
BC310-36-3000-1400	36				36					
BC310-48-3000-1400	48									

71-80/B3 Forma costruttiva e grandezza
Version and size
versione con piede
foot mounted version

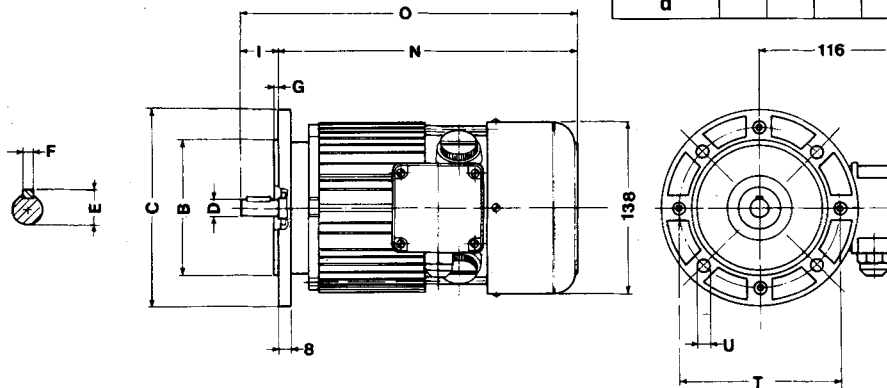
80 con altezza asse 71 mm (c-d)
80 with axis height 71 mm (c-d)

Dimensioni Dimensions mm	D	B	I	E	F	N	O	V	X
a	14	60	30	16	5	237	267	83	12
b						269	299	115	14
c	19	90	40	21.5	6	304	344	150	49
d						347	387	193	92



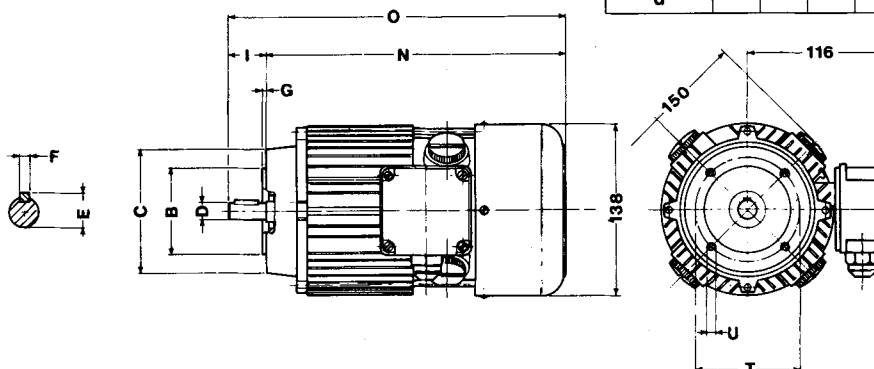
71-80/B5 Forma costruttiva e grandezza
Version and size

Dimensioni Dimensions mm	D	B	C	I	E	F	G	N	O	T	U
a	14	110	160	30	16	5	3.5	237	267	130	9.5
b								269	299		
c	19	130	200	40	21.5	6	3.5	317	357	165	11.5
d								360	400		



71-80/B14 Forma costruttiva e grandezza
Version and size

Dimensioni Dimensions mm	D	B	C	I	E	F	G	N	O	T	U
a	14	70	105	30	16	5	2.5	237	267	85	M6
b								269	299		
c	19	80	120	40	21.5	6	3	304	344	100	M6
d								347	387		



Esecuzione con piedi (B3) è possibile anche in associazione con B5 e B14.

Foot mounted version (B3) also available in combination with flange version B5 or B14.